

1

2

3

4

A

A

B

B

C

C

D

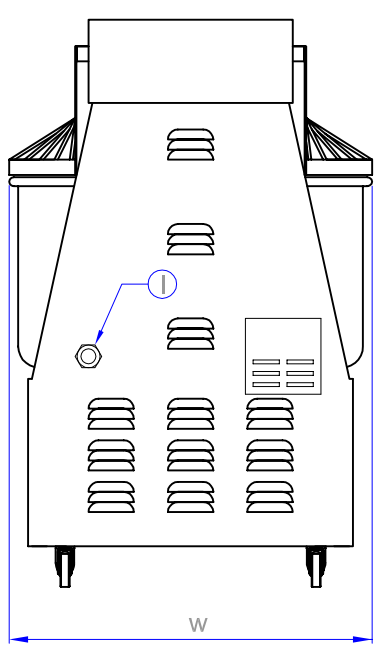
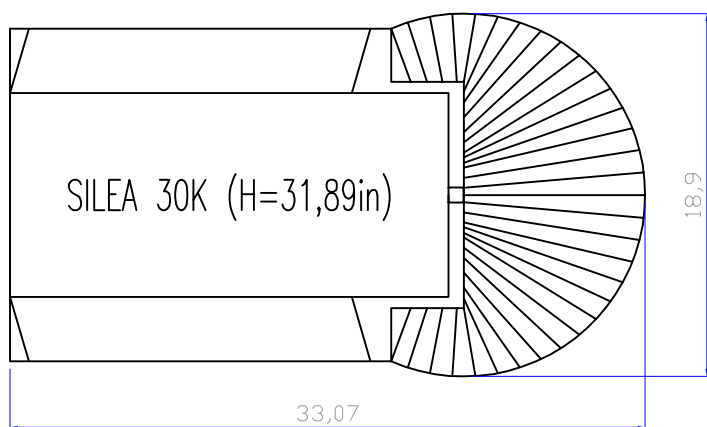
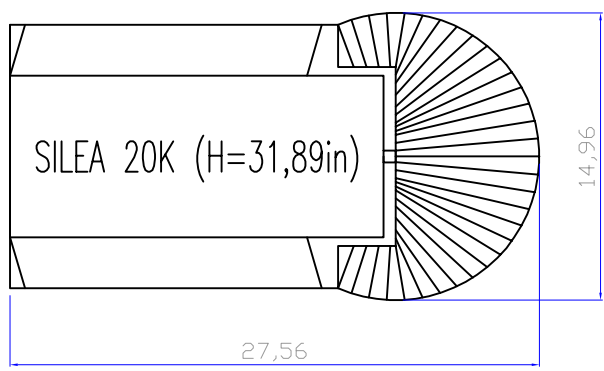
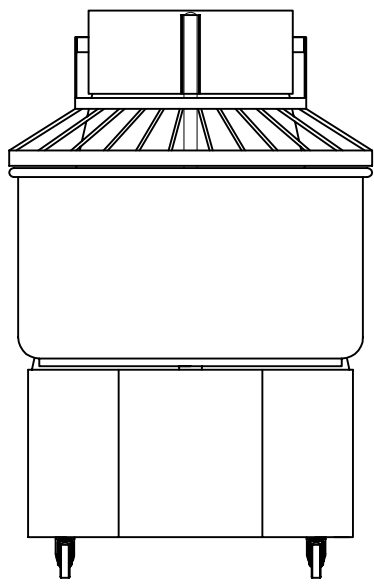
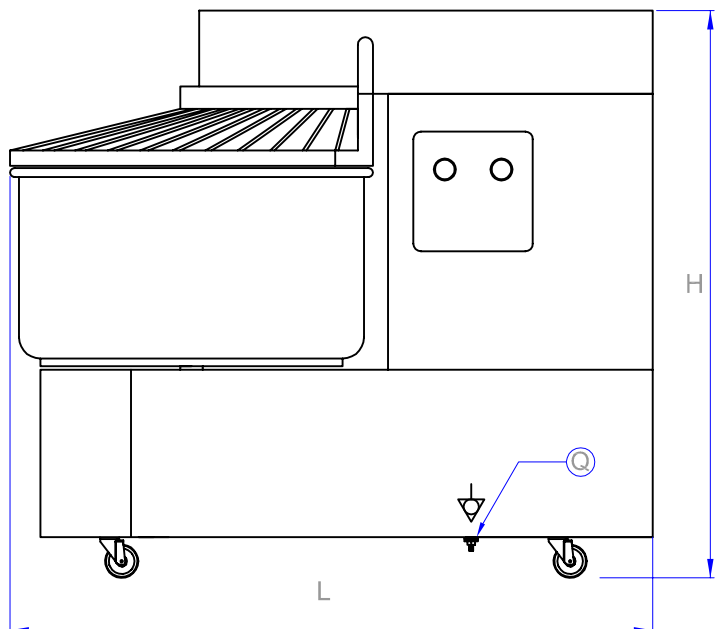
D

E

E

F

F



MODELLO MODEL	DIMENSIONI ESTERNE in EXTERNAL DIMENSIONS in			PESO NET WEIGHT Lb
	W	L	H	
SILEA/20K	14,96	27,56	31,89	158,73
SILEA/30K	18,90	33,07	31,89	216,05

Q	Equipotenziale – Equipotential
I	Pressacavo – Cord socket

Note: measurement are in inches



Description: <b>Installation plan</b>					Replaces: 111110BR00	Orig. form.: <b>A4</b>
Product: <b>SILEA</b>					Replaced: 130122BR01	Scale: <b>-</b>
2						Draw. N.: <b>1</b>
1	22/01/2013	F.Veronese	F.Veronese	F.Cuppone	Eliminato Silea 10K	Autore.: <b>VRN</b>
0	10/11/2011	F.Veronese	F.Veronese	F.Cuppone	First Issue	File name: <b>130122BR01</b>
N°	Date	Exec.	Check	Approved	Description	

Note: THIS DESIGN IS EXCLUSIVE PROPERTY OF THE COMPANY CUPPONE F. LLI SRL

1

2

3

4